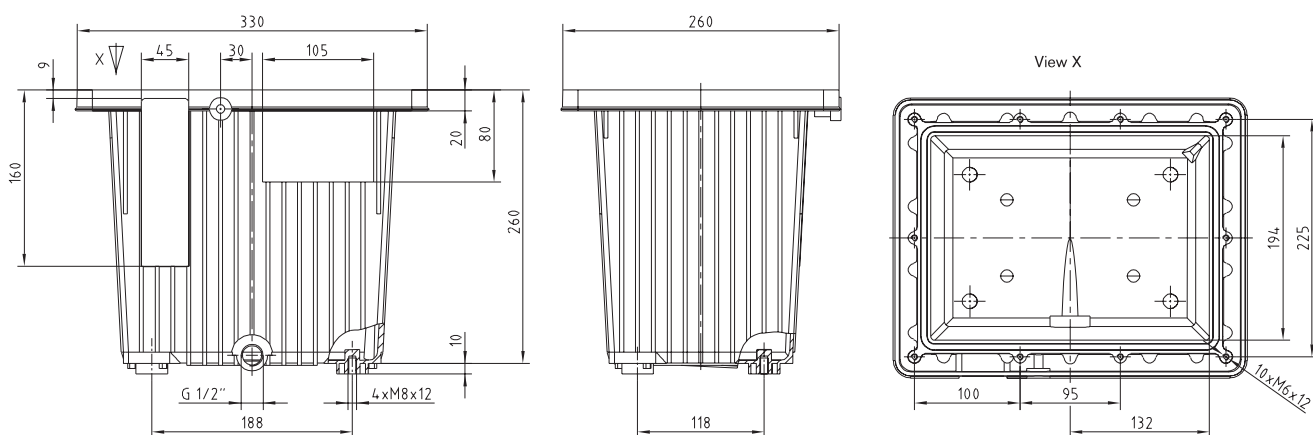


# ALUMINIUM TANK TYPE BAK HYDRAULIC COMPONENTS

## Tank with oil collecting groove

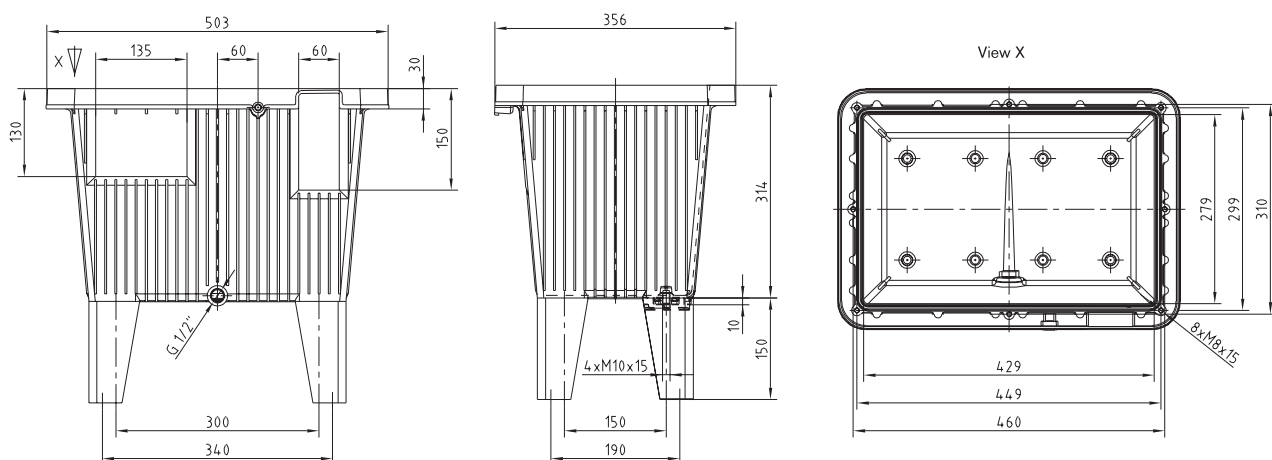


Tank with oil collecting groove BAK 13



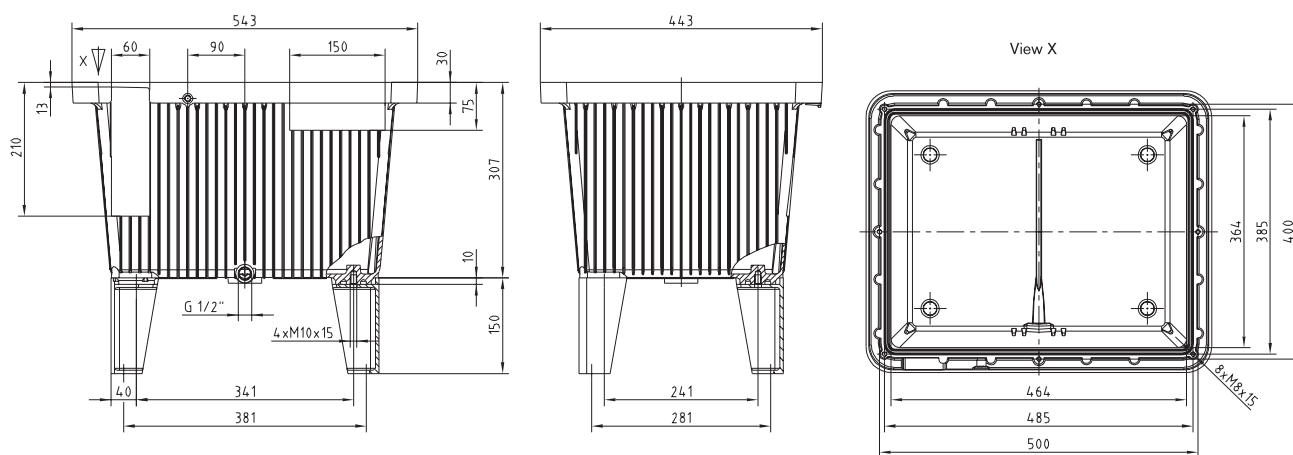
Effective volume	Gasket	Tightening torque of drain plug	Max. media temperature	Max. permissible pressure
11,5 L	RS 13 NBR	G1/2" = 80 Nm	100 °C	0,5 bar

Tank with oil collecting groove BAK 30



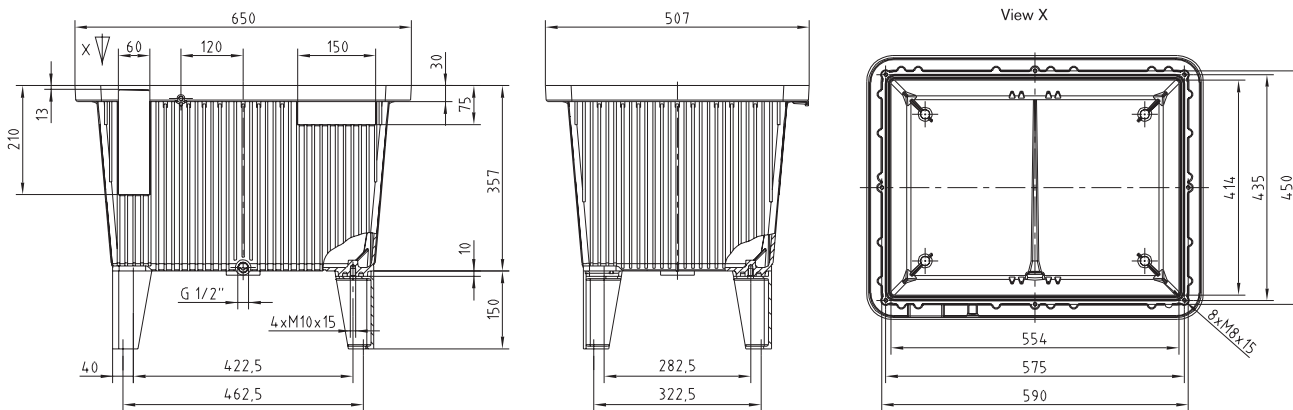
Effective volume	Gasket	Tightening torque of drain plug	Max. media temperature	Max. permissible pressure
27,0 L	RS 30 NBR	G1/2" = 80 Nm	100 °C	0,5 bar

### Tank with oil collecting groove BAK 44



Effective volume	Gasket	Tightening torque of drain plug	Max. media temperature	Max. permissible pressure
40 L	RS 40/44 NBR	G 1/2" = 80 Nm	100 °C	0,5 bar

### Tank with oil collecting groove BAK 70



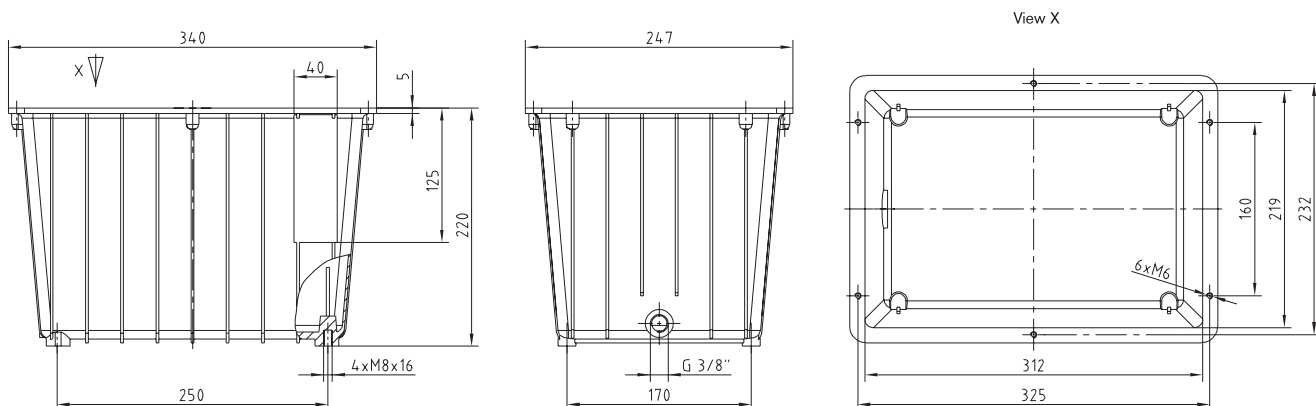
Effective volume	Gasket	Tightening torque of drain plug	Max. media temperature	Max. permissible pressure
63 L	RS 63/70 NBR	G 1/2" = 80 Nm	100 °C	0,5 bar

# ALUMINIUM TANK TYPE BAK HYDRAULIC COMPONENTS

## Tank without oil collecting groove

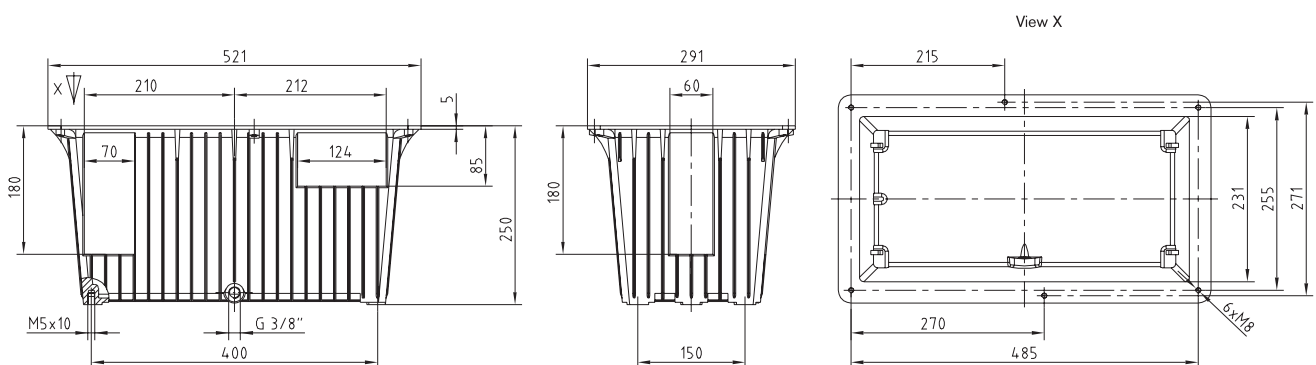


### Tank without oil collecting groove BAK 10



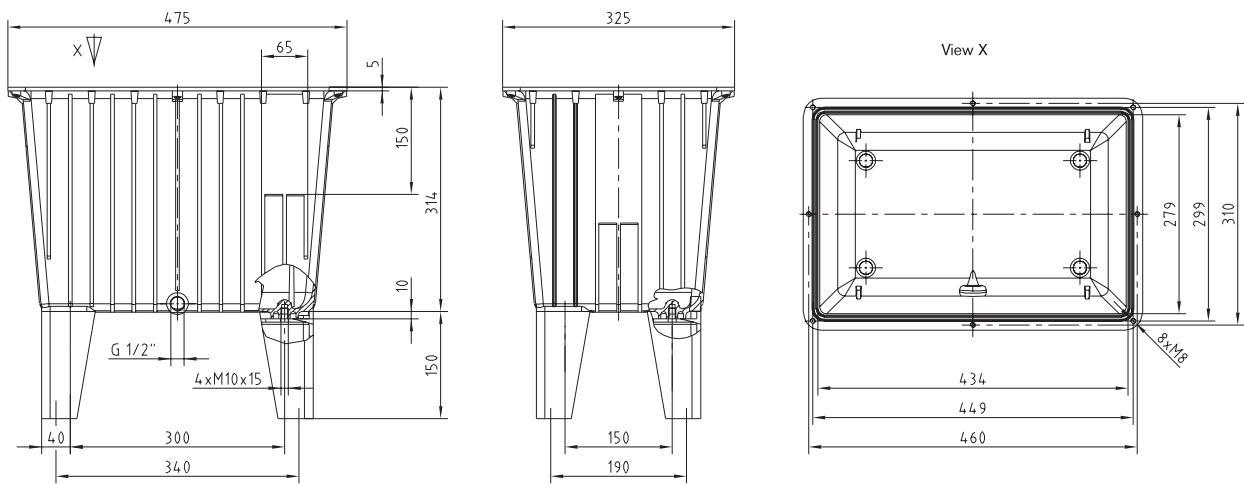
Effective volume	Gasket	Tightening torque of drain plug	Max. media temperature	Max. permissible pressure
9,5 L	FD 10	G3/8" = 50 Nm	100 °C	0,5 bar

### Tank without oil collecting groove BAK 20



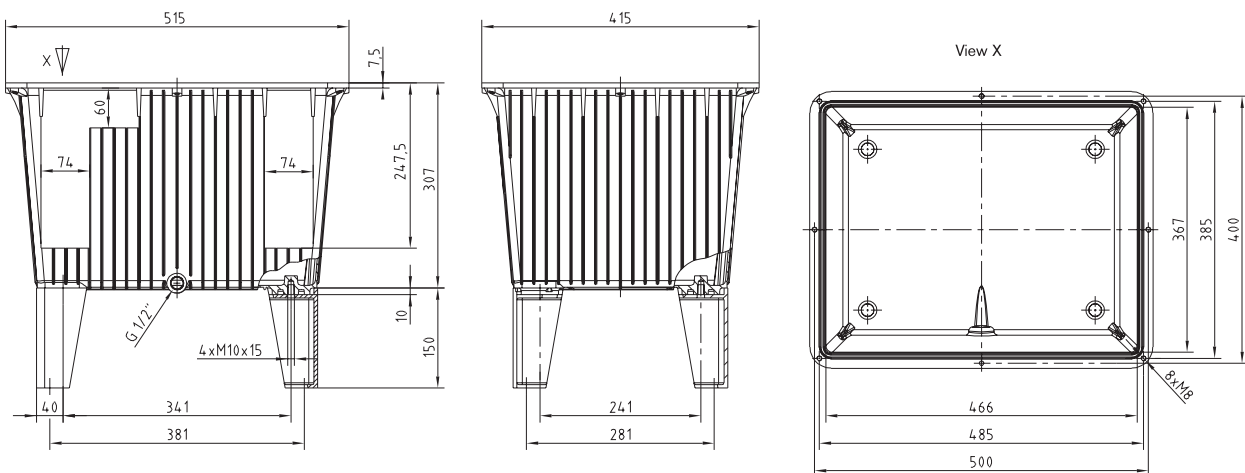
Effective volume	Gasket	Tightening torque of drain plug	Max. media temperature	Max. permissible pressure
18 L	FD 20	G3/8" = 50 Nm	100 °C	0,5 bar

### Tank without oil collecting groove BAK 27



Effective volume	Gasket	Tightening torque of drain plug	Max. media temperature	Max. permissible pressure
27 L	RS 30 NBR	G 1/2" = 80 Nm	100 °C	0,5 bar

### Tank without oil collecting groove BAK 40

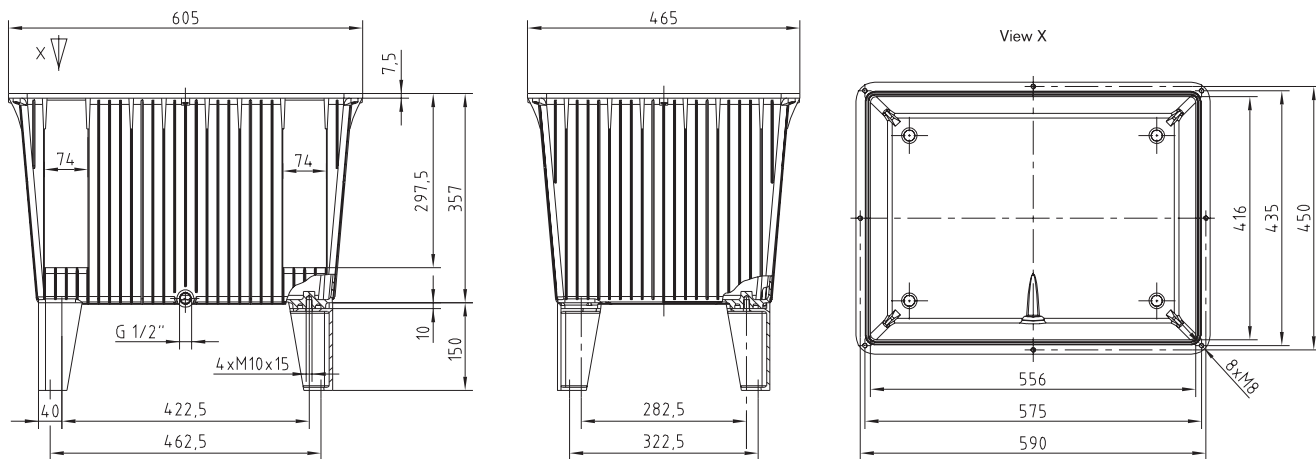


Effective volume	Gasket	Tightening torque of drain plug	Max. media temperature	Max. permissible pressure
40 L	RS 40/44 NBR	G 1/2" = 80 Nm	100 °C	0,5 bar

# ALUMINIUM TANK TYPE BAK HYDRAULIC COMPONENTS

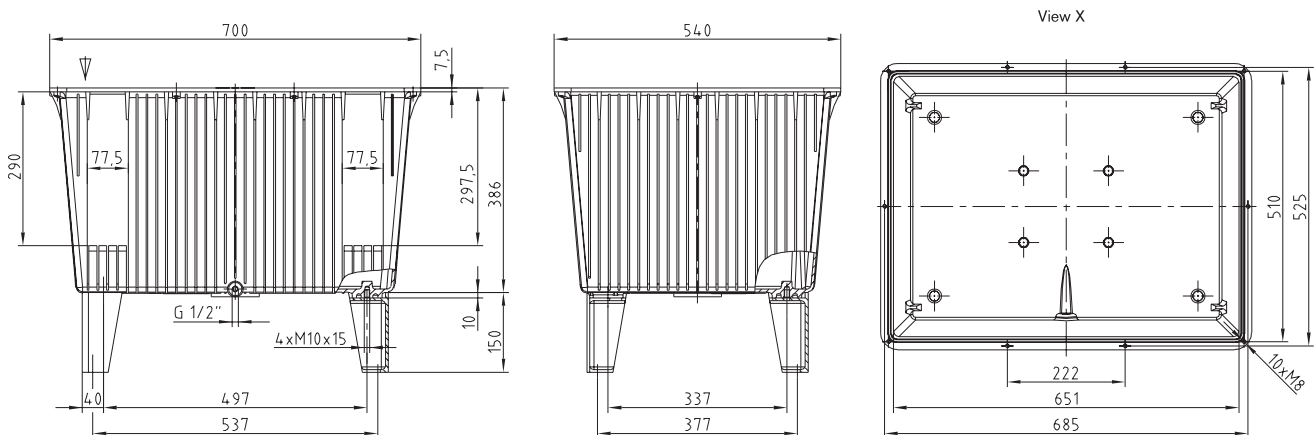
## Tank without oil collecting groove

### BAK 63

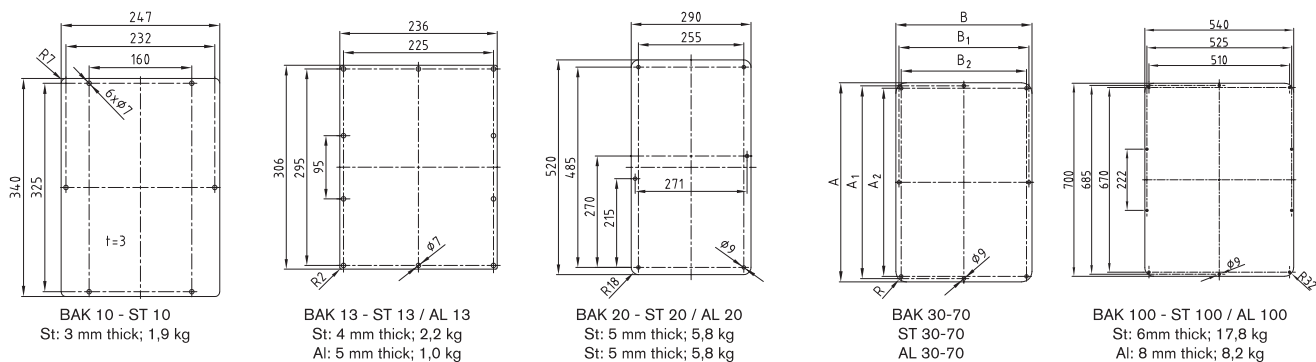


Effective volume	Gasket	Tightening torque of drain plug	Max. media temperature	Max. permissible pressure
63 L	RS 63/70 NBR	G1/2" = 80 Nm	100 °C	0,5 bar

### BAK 100

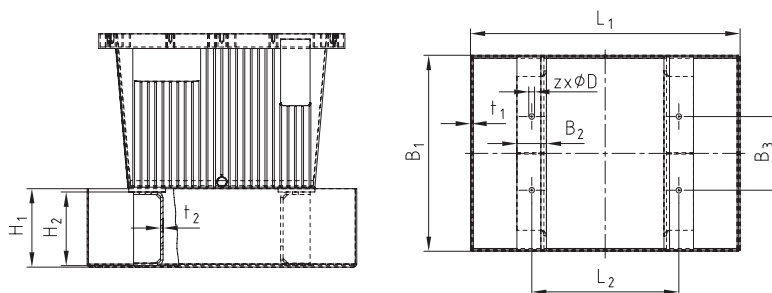


Effective volume	Gasket	Tightening torque of drain plug	Max. media temperature	Max. permissible pressure
95 L	RS 100 NBR	G1/2" = 80 Nm	100 °C	0,5 bar



### Tank cover made of steel and aluminium, accessories for aluminium tank

Cover		For tank	Dimensions [mm]							Cover thickness		Weight [kg]	
Steel	Alu		A	A <sub>1</sub>	A <sub>2</sub>	B	B <sub>1</sub>	B <sub>2</sub>	R	St	Al	St	Al
ST 30	AL 30	BAK 30	475	460	449	325	310	299	25	5	5	6	2,1
ST 44	AL 44	BAK 40/BAK 44	515	500	485	415	400	385	32	5	8	8,5	4,6
ST 70	AL 70	BAK 63/BAK 70	605	590	575	465	450	435	32	5	8	10,5	6,1

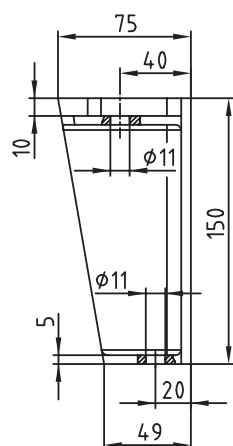


### Oil sump BAKW made of steel for KTR aluminium tanks BAK/available acc. WHG

Oil sump pan	For tank	Volume of oil sump pan	Dimensions [mm]										
			L <sub>1</sub>	L <sub>2</sub>	B <sub>1</sub>	B <sub>2</sub>	B <sub>3</sub>	H <sub>1</sub>	H <sub>2</sub>	t <sub>1</sub>	t <sub>2</sub>	z	D
BAKW 13	BAK 13	11,8 l	380	188	310	60	118	110	100	3	3	4	9
BAKW 20	BAK 20	20 l	570	400	350	60	150	110	100	3	3	4	12
BAKW 30	BAK 30	33 l	550	300	400	60	150	160	150	3	5	4	12
BAKW 44	BAK40/BAK 44	45 l	600	341	500	60	241	160	150	3	5	4	12
BAKW 70	BAK 63/BAK 70	63,5 l	730	422,5	580	60	282,5	160	150	3	5	4	12
BAKW 100	BAK 100	104 l	920	497	770	60	337	160	150	3	5	4	12

### Accessories

#### Tank feet BF 150 made of cast aluminium



#### Wheels LR 150 and LR 150 F with lock

