

Made for Motion



EVOLASTIC®

Highly flexible couplings

Fast, easy and reliable - with the product finder and our online tools

The product finder allows you to get to the suitable product in just a few steps. For this purpose either make use of the search function if you already know the product or use the full-text search which guides you to the requested result via various product-specific filters. Our selection tools speed up the detailed product selection. Few tech-

nical data suffice to rapidly find the right product for your application in the configurators - without having to browse catalogues lengthily.



Online tools

Tailor-made to your specifications - make use of our online tools



Product finder

The suitable product for your application - fast and simple with our product finder.

EVOLASTIC®

Highly flexible couplings

Examples of application



Pumps



Shredders



Tractors



Cooling towers



Stage technology



Snow groomers



Yachts



Piston compressors

EVOLASTIC®

Highly flexible couplings

Properties of flexible jaw and pin & bush couplings

					
Product	ROTEX®	EVOLASTIC®	POLY-NORM®	POLY	REVOLEX®
Type	Torsionally flexible jaw coupling	Highly flexible jaw coupling	Torsionally flexible jaw coupling	Torsionally flexible jaw coupling	Torsionally flexible pin & bush coupling
Features					
Torsionally flexible	●	●	●	●	●
Highly flexible		●			
Damping vibrations	●	●	●	●	●
Maintenance-free	●	●	●	●	●
Axial plug-in	●	●	●	●	●
Shear type				●	
Fail-safe	●	●	●		●
Compensating for misalignment	●	●	●	●	●
Types					
Variant diversity	very high	very high	average	average	high
Special features	extensive basic programme available from stock while customised solutions can be realized	reducing torsional vibrations and compensating for misalignment above average with compact dimensions, extremely flexible for individual drives	basic programme available from stock	basic programme available from stock	extensive programme, ideal for customised solutions, for applications with high performance ranges
Applications / core industries	manifold applications, applicable in all industries	flexible all-rounder coupling for wide applications in mechanical and plant engineering	pump industry, industrial gearboxes	chemical pumps, high-pressure pumps, ...	industrial gearboxes, conveyor systems, industrial fans, cableways, agitators, generators, ...
surface	allover machining, very good dynamic properties	machined, optionally available with corrosion protection, soft elastomer	shell surface machined	shell surface machined	allover machining, good dynamic properties
Torque range T_{KN} [Nm]					
Min.	7.5	100	40	42	4,300
Max.	35,000	5,600	67,000	6,100	1,350,000
Max. circumferential speed v [m/s]					
Cast EN-GJL (dynamic balancing)	35		35	35	35
Steel + cast EN-GJS (dynamic balancing)	60	60			60
Hub materials available					
Steel (semi-finished product) » customised solutions available	●	●			●
Cast iron (GJL) » subject to mould	●		●	●	●
Nodular iron (GJS) » subject to mould	●		○		○
Aluminium wrought products (Al-H) » customised solutions available	●				
Aluminium diecast (Al-D)	●				
Stainless steel	●	On request			
Corrosion-protected types	●	○	○	○	●
Spiders / elastomers					
Material	T-PUR®, PA, PEEK, Hytrel, ...	NR + EPDM	NBR (up to size 180) T-PUR® (from size 200)	NBR	NR, NBR NBR electrically insulating
Degree of hardness	flexible to torsionally rigid	highly flexible compounds W, S, M	flexible	flexible	flexible
Temperature range in °C, min. / max. (standard)	-50 / +120	-40 / +80	-30 / +80	-30 / +80	-30 / +80
Temperature range in °C, min. / max. (special)	-50 / +250	-30 / +100	-30 / +80	-30 / +80	-50 / +80

● ≈ Standard
○ ≈ On request

EVOLASTIC®

Highly flexible couplings

Properties of flexible jaw and pin & bush couplings

					
Product	ROTEX®	EVOLASTIC®	POLY-NORM®	POLY	REVOLLEX®
Type	Torsionally flexible jaw coupling	Highly flexible jaw coupling	Torsionally flexible jaw coupling	Torsionally flexible jaw coupling	Torsionally flexible pin & bush coupling
Geometries					
Design	compact	short	short	short	short
Mass moment of inertia	low	low	average	high	average
Shaft distance dimension	low / average	low	low	low	low
Types (extract)					
Elastomers can be radially disassembled » with no need of displacing driving/driven side	AFN, AH, SH, ZR, DF, DFN, CF-H	D2H, DFH	ADR, ADR-SB	PKD	Standard
Intermediate shaft types » bridging larger shaft distances	ZR, ZWN	D2H, DFH	–	–	customised
Standard spacers 100 mm to 250 mm	ZS-DKM-H	–	AZR	PKA	customised
Shaft-to-shaft connection	Standard	EH, E2H, EHP, E2HP	Standard	Standard	Standard
Flange-to-shaft connection	CF, CFN	EFH, EFHP	–	–	customised
Flange-to-flange connection » particularly short mounting length	DF, DNF	customised	–	–	customised
Double-cardanic » compensating for big displacements, lower restoring forces	ZS-DKM-H, ZR, ZWN	D2H, DFH	–	–	–
Certifications / type examinations					
ATEX 	●	○	●	●	●
UL-listed 	●	○			
GOST R / GOST TR 	●	○	●	●	●
DNV/GL 	●	○			●
ABS 	●	○			○
Bureau Veritas 	●	○			○
LR 	○	○			○
RS CLASS 	○	○			○
CCS 	○	○			○
ClassNK 	○	○			

● ≈ Standard
○ ≈ On request

EVOLASTIC®

Highly flexible couplings

Description of product and application

The EVOLASTIC® is a highly flexible, non-slip and backlash-free shaft and flange coupling for flexible use in a large number of main and auxiliary drives in mechanical and plant engineering.

Subject to the elastomer element pre-stressed to pressure, the coupling is able to reduce torsional vibrations in the drive train and absorb overload shocks smoothly. Structure-borne noise is damped efficiently. At the same time it offsets misalignment above average in three dimensions (axially, radially and angularly).

The key component of this series is a vulcanised, circularly closed elastomer element made of natural rubber (WN, SN, MN, up to 80 °C) or for higher temperatures made of synthetical EPDM material (WE, SE, ME, up to 100 °C). The various kinds of rubber hardness cover one application and torque range per size.

The basic variants distinguish between directly screwed types and pluggable types. They cover all practical mounting conditions ranging from a finished individual component through hub/hub and flange/hub applications to the driving shaft. Apart from that the product portfolio allows for highly individual and flexible mounting options, tailor-made for the special application.



Technical data													
Size	Elastomer type ²⁾	Torque [Nm] ¹⁾				Dynamic torsion spring stiffness C _{dyn.} [Nm/rad]		Relative damping ψ [-]		Perm. damping power P _{KW} [W]		Operating speed [rpm]	
		T _{KN}	T _{Kmax}	T _{Kmax1}	T _{KW}	30 °C	60 °C	30 °C	60 °C	30 °C	60 °C	n	n _{max.}
12	SN	100	200	300	40	900	720	0.80	0.64	25	15	4,500	5,000
	MN	120	240	360	48	1,500	1,200	1.10	0.88			5,400	6,000
24	SN	200	400	600	80	2,000	1,600	0.80	0.64	40	24	3,780	4,200
	MN	240	480	720	96	3,600	2,880	1.10	0.88			4,500	5,000
48	SN	420	840	1,260	168	6,800	5,440	0.80	0.64	75	45	3,780	4,200
	MN	480	960	1,440	192	13,500	10,800	1.10	0.88			4,500	5,000
60	SN	500	1,000	1,500	200	4,600	3,680	0.80	0.64	80	48	3,240	3,600
	MN	600	1,200	1,800	240	7,750	6,200	1.10	0.88			3,600	4,000
86	SN	760	1,520	2,280	304	12,500	10,000	0.90	0.72	90	54	3,600	4,000
	MN	860	1,720	2,580	344	21,000	16,800	1.10	0.88			4,050	4,500
125	SN	1,100	2,200	3,300	440	8,800	7,040	0.80	0.64	120	72	2,880	3,200
	MN	1,250	2,500	3,750	500	16,000	13,600	1.10	0.88			3,240	3,600
200	SN	1,700	3,400	5,100	680	29,000	23,200	0.90	0.72	150	90	3,060	3,400
	MN	2,000	4,000	6,000	800	44,000	35,200	1.10	0.88			3,240	3,600
280	WN	2,400	4,800	7,200	960	38,000	30,400	0.70	0.56	170	102	2,700	3,000
	MN	2,800	5,600	8,400	1,120	78,000	62,400	1.10	0.88			3,060	3,400
360	WN	3,200	6,400	9,600	1,280	48,500	38,800	0.70	0.56	200	120	2,700	3,000
	SN	3,400	6,800	10,200	1,360	67,000	53,600	0.90	0.72			3,060	3,400
560	MN	3,600	7,200	10,800	1,440	115,000	92,000	1.10	0.88			3,060	3,400
	WN	5,000	10,000	14,000	2,000	73,500	58,800	0.80	0.64			2,250	2,500
560	SN	5,200	10,400	14,000	2,080	105,000	84,000	1.00	0.80	240	144	2,520	2,800
	MN	5,600	11,200	14,000	2,240	138,000	110,400	1.10	0.88			2,700	3,000

¹⁾ T_{KN} Torque that can be constantly transmitted over the entire speed range.
T_{Kmax} Transient torque peaks (e. g. resonance passage), max. 100,000 load alternation pulsating / 50,000 load alternation vibratory
T_{Kmax1} Torque loads rarely, max. 1,000 load alternation
For selection consider DIN 740 part II (operating factor, temperature factor), parameters for an ambient temperature of 30 °C.
²⁾ Higher strength on request.

Types

Types screwed axially	
E	Elastomer + set of screws
EH	Elastomer + hub (drive)
E2H	Elastomer + two hubs (driving and driven side)
EFH	Elastomer + flange (drive) + hub (driven side)
D2H	Two elastomers + intermediate shaft + two hubs
DFH	Two elastomers + intermediate shaft + flange and hub



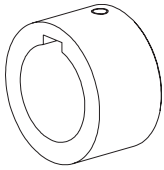
Types plugged in axially	
EP	Elastomer + locking pin
EHP	Elastomer + hub (drive), pluggable
E2HP	Elastomer + two hubs (driving and driven side), pluggable
EFHP	Elastomer + flange (drive) + hub (driven side) pluggable



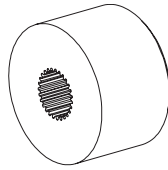
EVOLASTIC®

Highly flexible couplings

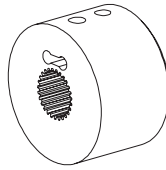
Types of hubs



Type 1.0
with feather keyway
and setscrew



Type 1.3
Profile gearing



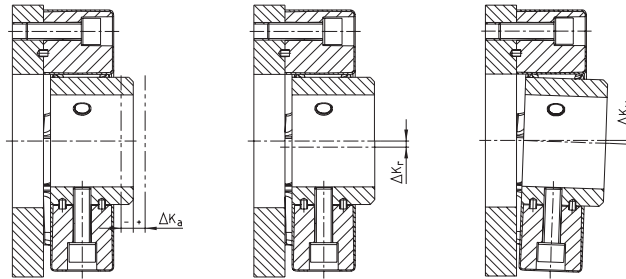
Type 3.1
Clamping hub N with
spline bore

Other hub connections on request.

Examples:

- Slotted clamping hub
- Clamping ring hub
- taper or cylindrical press fit
- split hub

Displacements / Displacement stiffness



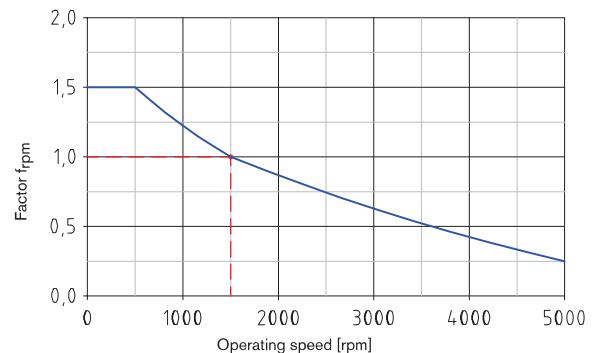
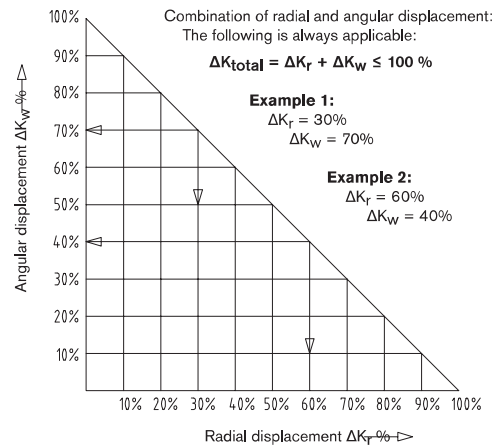
EVOLASTIC® size	12	24	48	60	86	125	200	280	360	560
Perm. axial displacement ΔK_a [mm]	±2.5	±3.0	±2.5	±3.0	±3.0	±3.5	±3.0	±3.5	±4.0	±4.0
Perm. radial displacement ΔK_r [mm]	1,500 rpm	2	2	2	2.5	2	2.5	2.5	3	3
	Max. ¹⁾	2.5	2.5	3.5	3.5	3.5	3.5	3.5	5.0	5.0
Perm. angular displacement ΔK_w [°]	1,500 rpm	3.0	3.0	2.0	3.0	2.0	3.0	2.0	2.0	2.0
	Max. ^{1) 2)}	6.0	6.0	4.0	6.0	4.0	6.0	4.0	4.0	4.0

¹⁾ With assembly for a short time resp. rarely with downtime or start-up operation as well as exceptional load conditions.

²⁾ Check clearance for angular joint deflection.

The radial and angular displacement of a coupling element refers to an operating speed of 1,500 RPM. Following the graph the permissible operating displacement increases with lower speed or reduces with rising speed by the factor f_{rpm} . The combination of radial and angular displacement in an application is divided up as a percentage. The permissible displacement refers to the total of alignment and operating displacement.

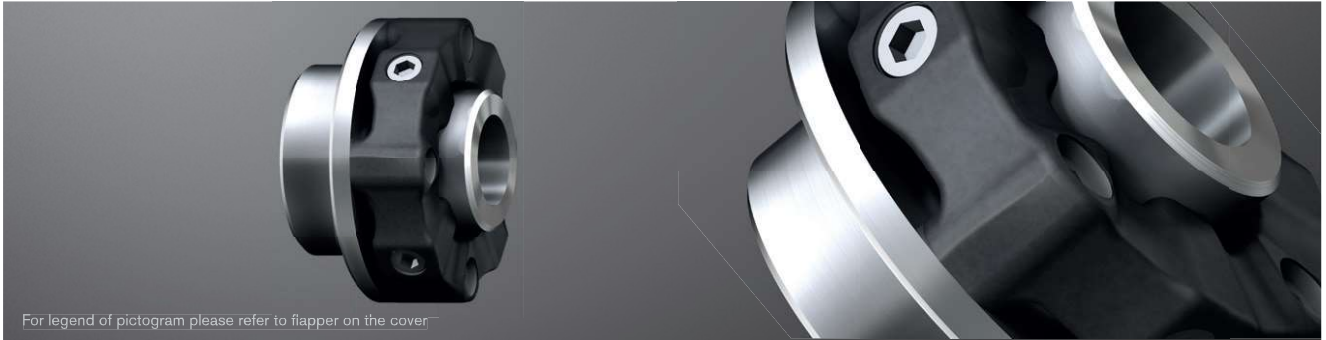
Size	Elastomer hardness	Axial stiffness C_a [N/mm]		Radial stiffness C_r [N/mm]		Angular stiffness C_w [N/°]	
		30 °C	60 °C	30 °C	60 °C	30 °C	60 °C
12	S	50	40	280	224	2.0	1.6
	M	70	56	400	320	3.0	2.4
24	S	70	56	400	320	4.0	3.2
	M	100	80	550	440	5.0	4.0
48	S	270	216	1,000	800	10	8.0
	M	420	336	1,500	1,200	15	12
60	S	100	80	440	352	10	8.0
	M	120	96	650	520	14	11
86	S	390	312	1,300	1,040	24	19
	M	490	392	1,625	1,300	30	24
125	S	150	120	650	520	15	12
	M	200	160	920	736	22	18
200	S	420	336	1,700	1,360	45	36
	M	525	420	2,125	1,700	56	45
280	W	460	368	1,150	920	58	46
	M	800	640	2,800	2,240	95	76
360	W	450	360	1,800	1,440	66	53
	S	550	440	2,200	1,760	80	64
560	M	710	568	2,500	2,000	100	80
	W	380	304	1,950	1,560	95	76
560	S	480	384	2,500	2,000	120	96
	M	620	496	3,000	2,400	150	120



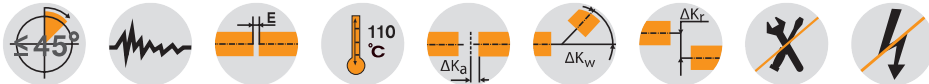
EVOLASTIC® E2H

Highly flexible couplings

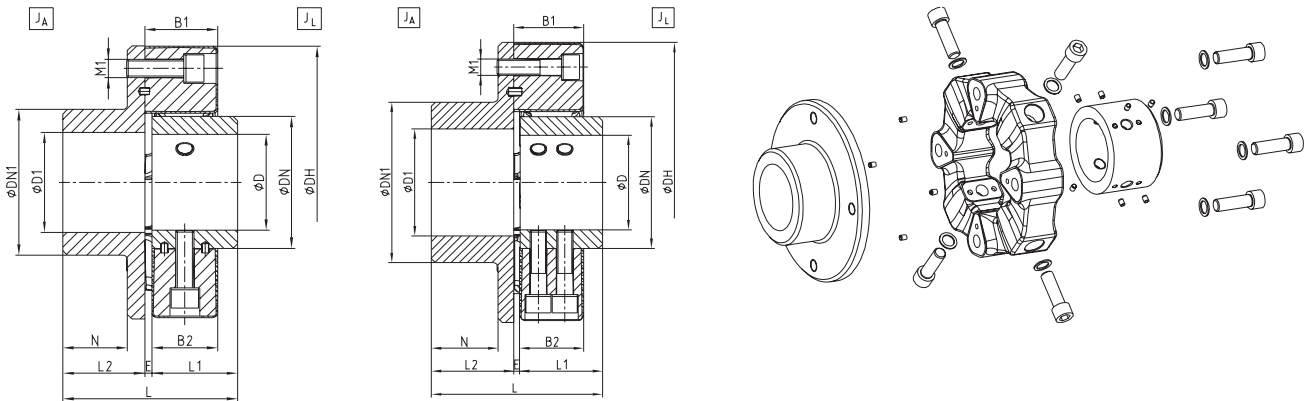
Shaft-to-shaft connection



For legend of pictogram please refer to flapper on the cover



Components



EVOLASTIC® type E2H																
Size	Dimensions [mm]													Mass moment of inertia [kgm ²] ¹⁾		Weight [kg] ¹⁾
	DH	D ¹⁾	DN	D1 ¹⁾	DN1	B1	B2	E	N	L	L1	L2	M1	JA	JL	
12	122	38	60	55	80	32	28	4	32	88	42	42	M10	0.0030	0.0010	2.38
24	150	48	70	70	100	42	36	6	38	106	50	50	M12	0.0080	0.0020	4.16
48	170	55	85	85	115	46	40	6	41	116	55	55	M14	0.0160	0.0050	6.21
60	200	65	100	100	140	58	50	8	50	140	66	66	M16	0.0360	0.0110	10.39
86	200	65	100	100	140	58	50	8	50	140	66	66	M16	0.0370	0.0120	10.83
125	260	85	125	110	160	70	63	8	60	168	80	80	M20	0.1110	0.0340	20.17
200	260	85	125	110	160	70	63	8	60	168	80	80	M20	0.1160	0.0400	21.15
280	300	105	145	110	160	80	72	8	70	192	94	90	M20	0.1960	0.0730	28.30
360	340	115	160	130	195	85	78	8	80	208	100	100	M20	0.3540	0.1320	40.66
560	370	120	170	140	200	105	95	10	100	260	125	125	M24	0.5890	0.2080	56.56

¹⁾ With max. bore

Ordering example:	EVOLASTIC® 48	E2H	S	1.0	Ø52	1.0	Ø52
	Coupling size	Type	Elastomer hardness	Hub type	Finish bore	Hub type	Finish bore

EVOLASTIC® E2HP

Highly flexible couplings

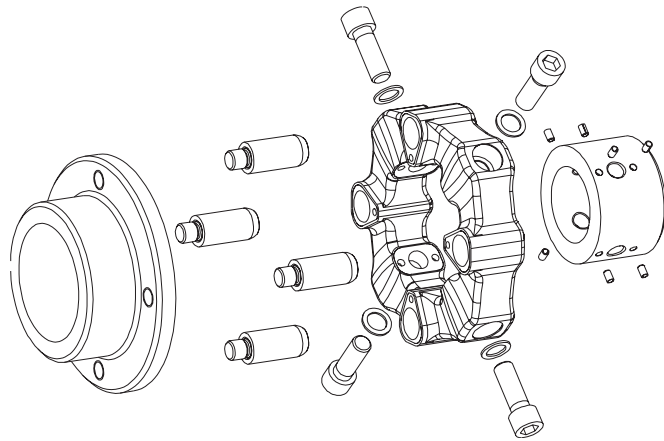
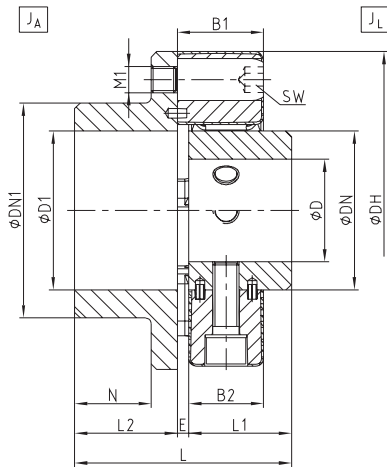
Shaft-to-shaft connection, plug-in



For legend of pictogram please refer to flapper on the cover.



Components



EVOLASTIC® type E2HP																		
Size	Dimensions [mm]															Mass moment of inertia [kgm ²] ¹⁾		Weight [kg] ¹⁾
	DH	DN	D	DN1	D1	B1	B2	E	N	L	L1	L2	M1	SW	JA	JL		
12	122	60	38	80	55	32	28	4	32	88	42	42	M10	8	0.003	0.001	2.44	
24	150	70	48	100	70	42	36	6	38	106	50	50	M12	10	0.009	0.002	4.26	
48	170	85	55	115	85	46	40	6	41	116	55	55	M14	12	0.016	0.005	6.41	
60	200	100	65	140	100	58	50	8	50	140	66	66	M16	14	0.038	0.010	10.62	
86	200	100	65	140	100	58	50	8	50	140	66	66	M16	14	0.039	0.012	11.13	
125	260	125	85	160	110	70	63	8	60	168	80	80	M20	17	0.115	0.034	20.55	
200	260	125	85	160	110	70	63	8	60	168	80	80	M20	17	0.123	0.039	21.65	
280	On request																	
360																		
560																		

¹⁾ With max. bore

Ordering example:	EVOLASTIC® 48	E2HP	S	1.0	Ø52	1.0	Ø52
	Coupling size	Type	Elastomer hardness	Hub type	Finish bore	Hub type	Finish bore