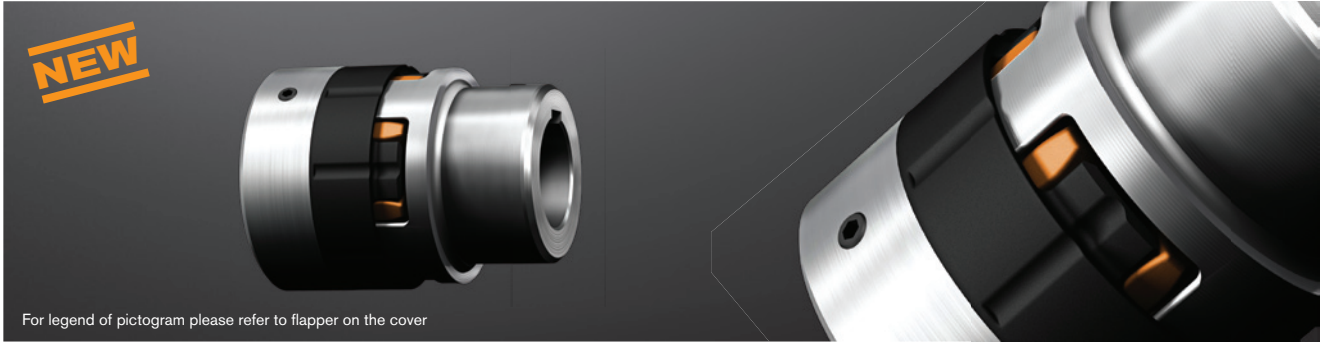
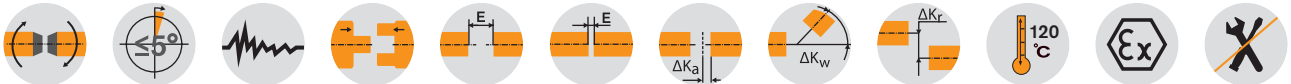


ROTEX® SP GN and EN Flexible jaw couplings

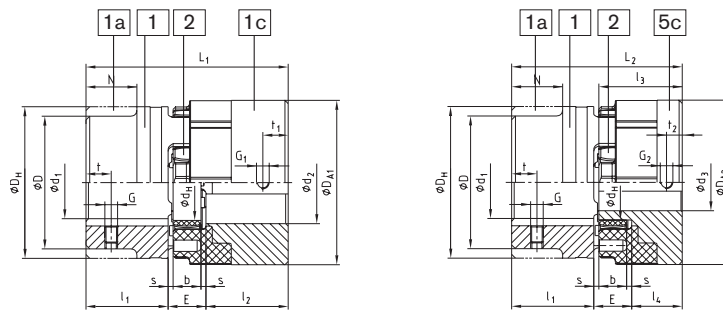
Single-cardanic shaft coupling (Non Sparking)



For legend of pictogram please refer to flapper on the cover



Components



ROTEX® Standard (St) ³⁾			ROTEX® SP Type GN (No. 080)						ROTEX® SP Type EN (No. 081)								
Size	Spider (part 2) 1) Rated torque [Nm]	Component steel (St)	Component SP	Dimensions [mm] ROTEX® SP component 1c						Component SP	Dimensions [mm] ROTEX® SP component 5c						
				maximum d ₂ ²⁾	l ₂	DA ₁	G ₁	t ₁	L ₁		maximum d ₂ ²⁾	l ₃	l ₄	DA ₂	G ₂	t ₂	L ₂
24	35	1a	1c	28	30	61	M5	10	78	5c	19	36	22	61	M5	6	70
		98							90								90
28	95	1a	1c	32	35	72	M8	15	115	5c	22	42	26	72	M8	7	81
		114							106								
38	190	1	1c	42	45	87	M8	15	139	5c	28	50	30	87	M8	7	99
		126							124								
42	265	1	1c	48	50	103	M8	20	151	5c	35	56	34	103	M8	10	110
		140							135								
48	310	1	1c	55	56	114	M8	20	164	5c	40	60	36	114	M8	10	120
		160							124								
55	410	1	1c	65	65	130	M10	20	185	5c	45	66	40	130	M10	17	135
		185							160								
65	625	1	1c	75	75	146	M10	20	210	5c	55	75	44	146	M10	17	154
		185							179								

ROTEX® Standard (GJL) ⁴⁾			ROTEX® SP Type GN (No. 080)						ROTEX® SP Type EN (No. 081)								
Size	Spider (part 2) 1) Rated torque [Nm]	Component cast iron (GJL)	Component (SP)	Dimensions [mm] ROTEX® SP component 1c						Component SP	Dimensions [mm] ROTEX® SP component 5c						
				maximum d ₂ ²⁾	l ₂	DA	G	t	L		maximum d ₂ ²⁾	l ₂	l ₃	DA	G	t ₁	L ₁
38	190	1	1c	42	45	87	M8	15	114	5c	28	50	30	87	M8	7	99
		139							124								
42	265	1	1c	48	50	103	M8	20	126	5c	35	56	34	103	M8	10	110
		151							135								
48	310	1	1c	55	56	114	M8	20	140	5c	40	60	36	114	M8	10	120
		164							144								
55	410	1	1c	65	65	130	M10	20	160	5c	45	66	40	130	M10	17	135
		185							135								
65	625	1	1c	75	75	146	M10	20	185	5c	55	75	44	146	M10	17	154
		210							154								

¹⁾ Maximum torque of coupling TK_{max.} = rated torque of coupling TK rated x 2. Transmittable torque acc. to 92 Sh-A

²⁾ Bore H7 with keyway to DIN 6885 sheet 1 [JS9] and thread for setscrews

³⁾ For dimensions of standard ROTEX® hubs (St) 1, 1a, 1b see catalogue on page 36.

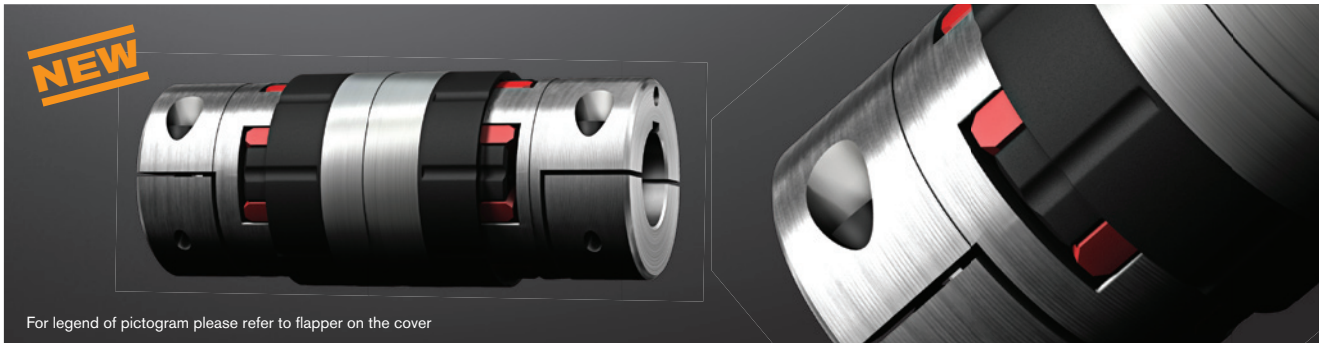
⁴⁾ For dimensions of standard ROTEX® hubs (GJL) 1, 1a, 1b see catalogue on page 34.

■ = Available from stock

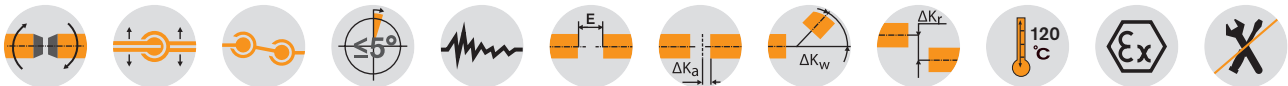
Ordering example:	ROTEX® SP 38	GJL	92 Sh-A	1a	Ø45	1c	Ø42
	Coupling size	Material of component 1;1a;1b	Spider hardness	Component	Finish bore	Component	Finish bore

ROTEX® SP ZS-DKM-C Flexible jaw couplings

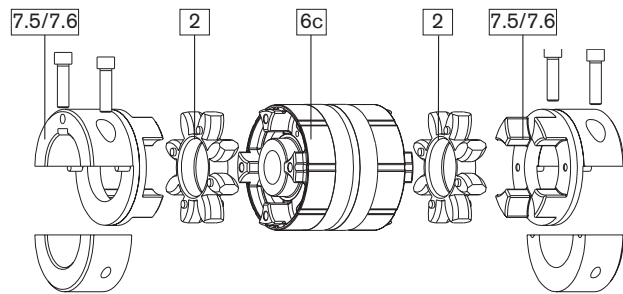
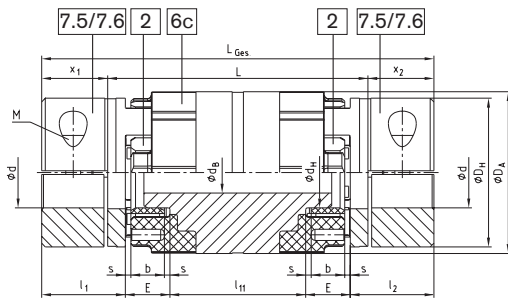
Double-cardanic shaft coupling (Non Sparking)



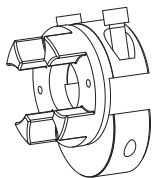
For legend of pictogram please refer to flapper on the cover



Components



ROTEX® SP Type ZS-DKM-C (No. 085)																
Size	Drop-out center length L	Spider (part 2) ¹⁾ Rated torque [Nm]	Dimensions [mm]												Dimensions [mm]	
			General component 7.5/7.6 steel												ROTEX® SP comp. 6c Al-H ³⁾	
			Maximum finish bore ²⁾ d	L _{Ges.}	l ₁ ; l ₂	x ₁ ; x ₂	E	b	s	D _H	D _A	d _H	M	T _A [Nm]	d _B	l ₁₁
24	100	35	28	145	30	22,5	18	14	2,0	55	61	27	M6	14	14	49
	185			89												
28	100	95	38	151	35	25,5	20	15	2,5	65	72	30	M8	35	16	41
	191			81												
38	100	190	45	171	45	35,5	24	18	3,0	80	87	38	M8	35	22	33
	211			73												
42	100	265	55	178	50	39	26	20	3,0	95	103	46	M10	69	30	26
	218			66												
48	140	310	60	230	56	45	28	21	3,5	105	114	51	M12	120	35	62
	240			50												
55	180	410	70	280	65	50	30	22	4,0	120	130	60	M12	120	35	90
	200			110												
	300															
65	140	625	80	260	75	60	35	26	4,5	135	146	68	M12	120	48	40
	300			50												



Type 7.5 clamping hub type DH without feather keyway for double-cardanic connection

Type 7.6 clamping hub type DH with feather keyway for double-cardanic connection

¹⁾ Maximum torque of coupling TK_{max.} = rated torque of coupling TK rated x 2. Transmittable torque acc. to 92 Sh-A-GS

²⁾ Hub type 7.5= without keyway; hub type 7.6=with keyway to DIN 6685 sheet 1 (JS9)

³⁾ Size 42 with drop-out center length 100 made of steel

■ = Available from stock

Ordering example:	ROTEX® SP 38	ZS-DKM-C	140	98 Sh-A-GS	7.5	Ø38	7.5	Ø30
	Coupling size	Type	Drop-out center length L	Spider hardness	Hub type	Finish bore	Hub type	Finish bore