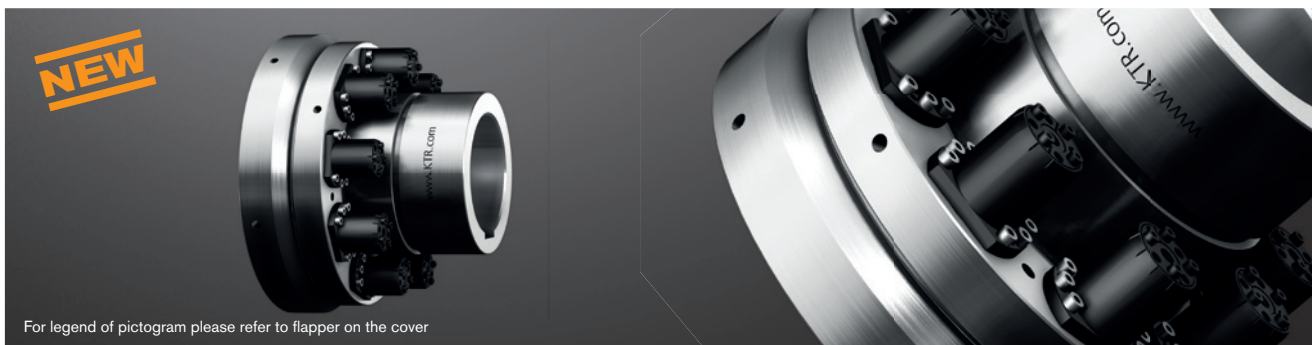


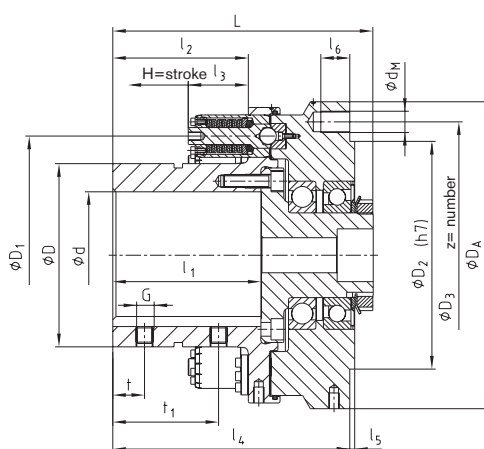
KTR-SI FRE

Idle rotating overload system

Flange type



For legend of pictogram please refer to flapper on the cover



Torques [Nm]

Size	Type of element	3 idle rotation elements		6 idle rotation elements		9 idle rotation elements	
		min.	max.	min.	max.	min.	max.
9	1T2	1000	4000	2000	8000	-	-
	1T3	2000	5500	4000	11000	-	-
12	1T2	1300	5000	2600	10000	3900	15000
	1T3	2400	6700	4800	13400	7200	20100
15	1T2	1700	6000	3400	12000	5100	18000
	1T3	3000	8200	6000	16400	9000	24600
20	2T2	5000	15000	10000	30000	15000	45000
	2T3	10000	20000	20000	40000	30000	60000

Technical data – Dimensions

Size ¹⁾	Bore max.	Dimensions [mm]																			Perm. maximum forces on flange connection [kN] ²⁾		Speed ³⁾ [RPM]	Weight with max. bore [kg]
		d	D	D ₁	D ₂	D ₃	D _A	l ₁	l ₂	l ₃	l ₄	l ₅	l ₆	G	t	t ₁	L	d _M	z	Pitch	H=stroke	Radial force		
9	90	135	185	200	225	260	120	110	56,7	197	2,5	17,5	12	25	75	213,5	12	12	12x30°	5,2	18	13	3300	38
12	120	173	225	215	252	290	140	128	56,7	224	4,5	27,5	16	30	100	246	20	15	20x18°	5,2	26	18	2300	57
15	150	215	270	245	282	324	170	160	56,7	258	4,5	27,5	20	40	120	281	20	15	20x18°	5,2	30	20	2050	81
20	200	285	370	330	375	460	220	200	88,4	341	5	33,0	20	50	150	366	24	18	24x15°	8,9	50	40	1550	211

¹⁾ Other sizes available on request

²⁾ Bigger forces available on request

³⁾ Higher speeds available on request, see comments on page 230

Ordering example:

KTR-SI FRE 12	1T3	9	d Ø85	12000 Nm
Type / size	Type of element	Number of idle rotation elements	KTR-SI FRE bore	Torque set