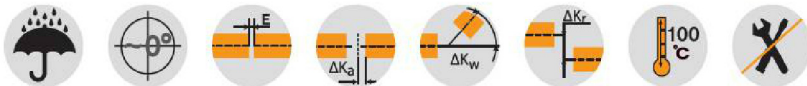


# BoWex® junior and junior M Bogenzahn-Kupplung®

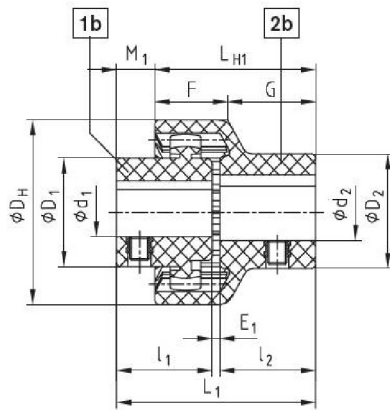
Plug-in coupling made of nylon (two-part and three-part)



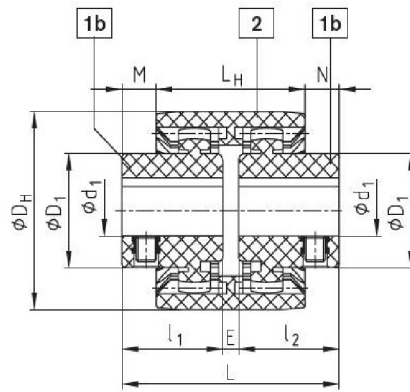
For legend of pictogram please refer to flapper on the cover



## Components



Type junior plug-in coupling (two-part)



Type junior M coupling three-part

### BoWex® junior plug-in coupling (two-part) and BoWex® junior M (three-part)

Size	Torque TK [Nm]		Finish bore				Dimensions [mm]											Max. speed [rpm]			
			Hub part 1b		Plug-in sleeve Part 2b		D <sub>H</sub>	l <sub>1</sub> , l <sub>2</sub>	E <sub>1</sub>	L <sub>1</sub>	L <sub>H1</sub>	M <sub>1</sub>	F	G	E	L	L <sub>H</sub>		M, N		
	d <sub>1</sub>	D <sub>1</sub>	d <sub>2</sub>	D <sub>2</sub>																	
14 M-14	5	10	Ø6, Ø7,	22	Ø8	22	40	23	2	48	40	8	18,5	21,5	4	50	37	6,5	6000		
			Ø10, Ø11		Ø10, Ø11															25	25
			Ø12, Ø14		Ø12, Ø14															26	26
19 M-19	8	16	Ø12, Ø14	27	Ø14, Ø15	29	47	25	2	52	42	10	19,0	23,0	4	54	37	8,5	6000		
			Ø16		30																
			Ø19		32															Ø19	35
24 M-24	12	24	Ø10, Ø11,	26	Ø14, Ø16	32	53	26	2	54	45	9	21,5	23,5	4	56	41	7,5	6000		
			Ø12																		
			Ø14, Ø15,	32																	
			Ø16																		
			Ø18, Ø19,	36	Ø19, Ø20	36															
			Ø20																		
			Ø24	38	Ø24	40															

Ordering example:	BoWex® junior 19	d <sub>1</sub> Ø19	d <sub>2</sub> Ø14
	Coupling size two-part type or BoWex® junior M-19 three-part type	Finish bore	Finish bore