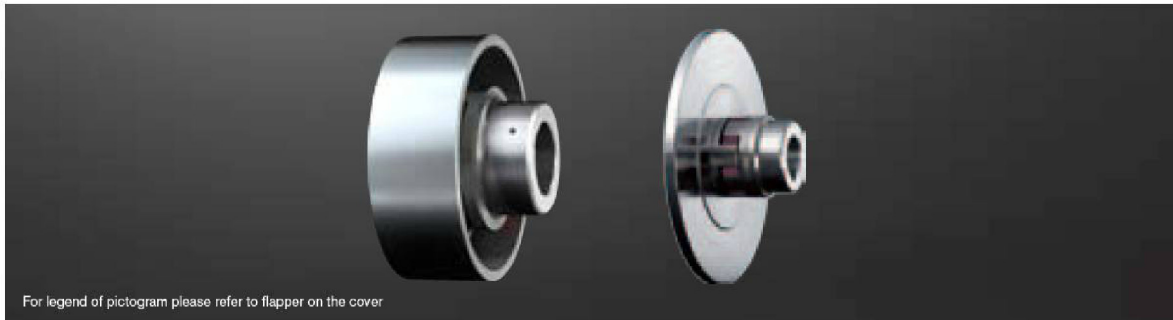
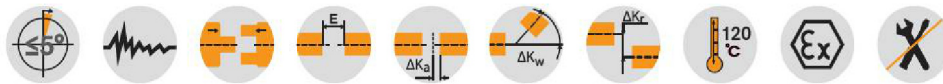


# ROTEX® BTAN and SBAN Flexible jaw couplings

With brake drum / with brake disk



For legend of pictogram please refer to flapper on the cover



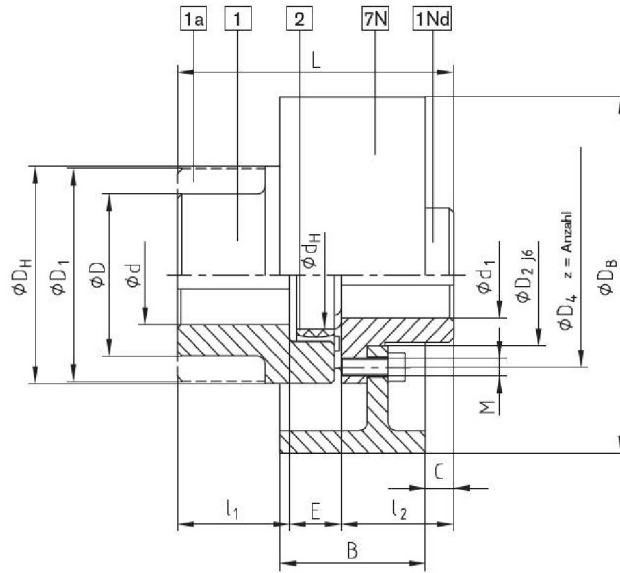
ROTEX® Type BTAN (No. 011) and SBAN (No. 013)														
Size	Pilot bore Ød; ØD ØD1	Finish bore max.d1		Dimensions [mm]										
		GJS	Steel	D <sub>H</sub>	D <sub>2</sub>	D <sub>4</sub>	d <sub>H</sub>	z	Pitch 1)	M	TA [Nm]	l <sub>1</sub> ; l <sub>2</sub>	E	L
38	See jaw couplings on page 34 to 39 Stock programme/basic programme on page 32 and 33	—	34	80	50	66	38	8	8 x 45°	M8	41	45	24	114
42		—	42	95	60	80	46	12	16 x 22,5°	M8	41	50	26	126
48		—	48	105	68	90	51	12		M8	41	56	28	140
55		—	55	120	78	102	60	8	8 x 45°	M10	83	65	30	160
65		—	65	135	92	116	68	12	16 x 22,5°	M10	83	75	35	185
75		—	75	160	106	136	80	15	20 x 18°	M12	120	85	40	210
90		—	100	200	140	172	100	15		M16	295	100	45	245
100		—	100	—	225	156	195	113	15	M16	295	110	50	270
110		—	110	—	255	176	218	127	15	M20	580	120	55	295
125		—	130	—	290	204	252	147	15	M20	580	140	60	340

Type BTAN											Type SBAN													
Brake drum	ROTEX® BTAN dimension „C“										Speed rpm [V] (30 m/s)	Brake disk	ROTEX® SBAN dimension „N“										Speed rpm [V] (30 m/s)	
	38	42	48	55	65	75	90	100	110	125			38	42	48	55	65	75	90	100	110	125		
160x60	14										3550	200x12,5	31,25								2800			
200x75	9	12	17	24							2800	250x12,5	31,25	34,25	39,25							2240		
250x95	1	4	9	16	25	33					2240	315x16		32,5	37,5	44,5	53,5	61,5				1800		
315x118		-5	0	7	16	24	36				1800	400x16			37,5	44,5	53,5	61,5	73,5	81,5	88,5	1400		
400x150		-18	-13	-6	3	11	23	31	38		1400	500x16				44,5	53,5	61,5	73,5	81,5	88,5	104,5	1120	
500x190					-12	-4	8	16	23	39	1120	630x20					51,5	59,5	71,5	79,5	86,5	102,5	900	
630x236						-22	-10	-2	5	21	900	710x20					51,5	59,5	71,5	79,5	86,5	102,5	800	
710x265									-13	-6	10	800	800x25						69	77	84	100	710	
800x300										-4	710	900x25										84	100	630

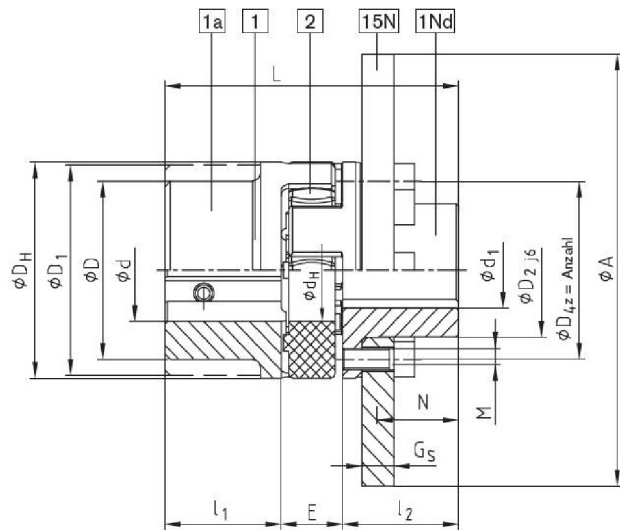
<sup>1)</sup> Thread in the hub between the cams  
 Other sizes on request according to dimension sheet No.:  
 BTAN: M 380821  
 SBAN straight: M380822; cranked: M 370085  
 FNN hub: M 380823  
 Finish bore according to ISO fit H7, feather keyway acc. to DIN 6885 sheet 1 - JS9

Ordering example:	ROTEX® 38	BTAN	Ø200x75	98 Sh-A	1Nd	Ø 38	1	Ø30
	Coupling size	Type	Ø brake drum x width	Spider hardness	Component	Finish bore	Component	Finish bore

Components



Brake drum  
type BTAN



Brake disk  
type SBAN