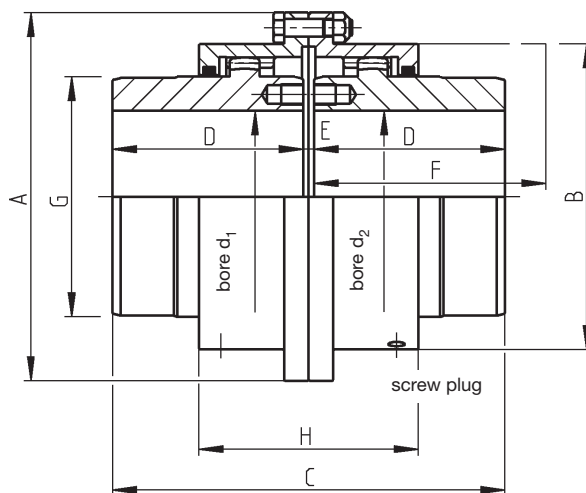


Curved Tooth Couplings

Construction Series LBk

Dimension Table No. 243 126/ 2



For coupling selection, please see page 6.

The dismounting dimension F is required to allow vertical installation and removal of the machines and O-ring replacement.

Sizes 32 to 225 available from stock.
Other sizes available on request.

For torsional stiffness values, please see the data tables for LBk-type couplings.

1) Based on a permissible angular misalignment of $\Delta K_{w \text{ perm.}} = 0.75^\circ$ per coupling half.

Higher misalignment capability is possible, but requires special measures.

2) Values for the complete coupling with bore $d_1; d_2 \text{ max.}$

3) The maximum speed capacity depends on the misalignment. Please see table 'Speed Factors'.

Type LBk	Norm. Speed ³⁾ cont. duty		bore $d_1; d_2$		Dimensions									Max. static ¹⁾ radial misalign- ment ΔK_{max} mm	Total grease quantity kg	Mass ²⁾ moment of inertia J kgm ²	Weight ²⁾ kg
	$\frac{P_{KN}}{n}$ kW·min	n_{max} rpm			min mm	max mm	A mm	B mm	C mm	D mm	E mm	F mm	G mm				
32	0.050	8500	12	35	105	74	104	50	4	80	48	90	±0.57	0.03	0.0034	2.9	
38	0.082	7500	12	42	115	88	125	60	5	90	60	101	±0.69	0.04	0.0059	4.3	
48	0.146	6900	22	55	145	108	145	70	5	100	77	102	±0.71	0.06	0.015	7.0	
60	0.288	6300	22	65	165	125	166	80	6	110	90	107	±0.77	0.10	0.026	9.3	
70	0.50	5900	28	80	195	146	186	90	6	120	112.5	112	±0.78	0.15	0.059	14.7	
80	0.82	5400	28	92	215	168	206	100	6	130	128	119	±0.84	0.22	0.097	20.0	
90	1.14	5000	32	105	230	185	228	110	8	140	145	127	±0.92	0.29	0.14	25.4	
100	1.64	4700	32	115	265	210	258	125	8	150	160.5	148	±1.08	0.44	0.28	38.0	
110	2.30	4300	55	126	270	224	288	140	8	170	176	161	±1.23	0.55	0.36	45.6	
125	2.88	4000	65	145	305	245	310	150	10	180	200.5	175	±1.34	0.79	0.64	62	
140	4.60	3700	75	162	330	270	350	170	10	200	224.5	197	±1.44	0.90	1.03	82	
160	6.48	3400	85	185	375	305	392	190	12	230	256.5	221	±1.70	1.23	1.5	120	
180	9.24	3100	120	210	425	348	452	220	12	260	288.5	250	±1.89	1.9	3.6	177	
200	12.92	2900	140	230	470	392	514	250	14	300	320.5	272	±2.12	2.4	6.2	245	
225	18.4	2700	160	260	535	437	576	280	16	330	362	315	±2.42	3.7	11.2	347	

Subject to change due to technical improvement.