

ACCESSORIES FOR BELLHOUSINGS HYDRAULIC COMPONENTS

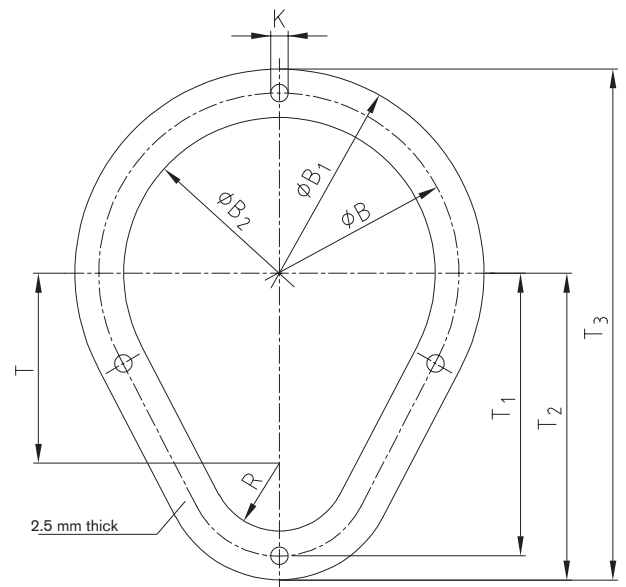
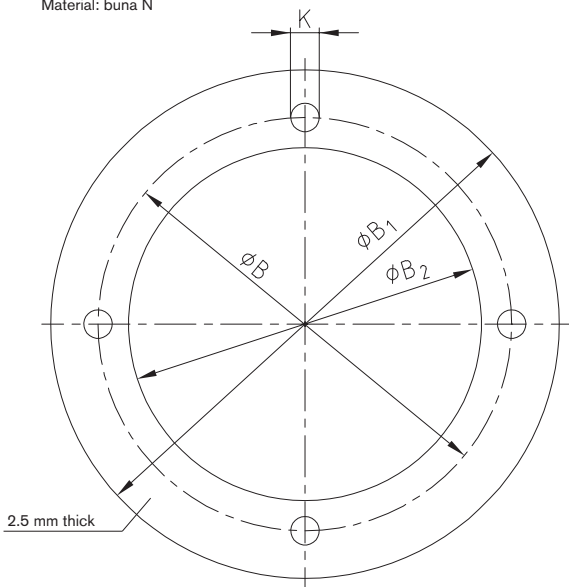
Gaskets DP and DZ for mounting flange ZO



Gasket DP

Gasket DZ

Material: buna N



Gaskets for bellhousings and mounting flanges

Size	Dimensions [mm]								
	B	B ₁	B ₂	T	T ₁	T ₂	T ₃	K	R
DP 160	130	160	111	–	–	–	–	4 x 9	–
DP 200	165	200	146	–	–	–	–	4 x 11	–
DP 250	215	250	191	–	–	–	–	4 x 13	–
DP 300	265	300	235	–	–	–	–	4 x 13	–
DP 350	300	350	261	–	–	–	–	4 x 17	–
DP 400	350	400	301	–	–	–	–	4 x 17	–
DP 450	400	450	351	–	–	–	–	4 x 17	–
DP 550	500	550	451	–	–	–	–	4 x 17	–
DZ 160	185	210	160	97,5	145	157,5	262,5	4 x 9	35
DZ 200	225	250	200	142,5	190	202,5	327,5	4 x 9	35
DZ 250	275	300	250	142,5	190	202,5	352,5	6 x 9	35
DZ 300	330	360	300	150	225	240	420	6 x 14	60
DZ 350	380	410	350	160	255	270	475	6 x 14	80

Ordering
example:

DP 300

Type and size of gasket