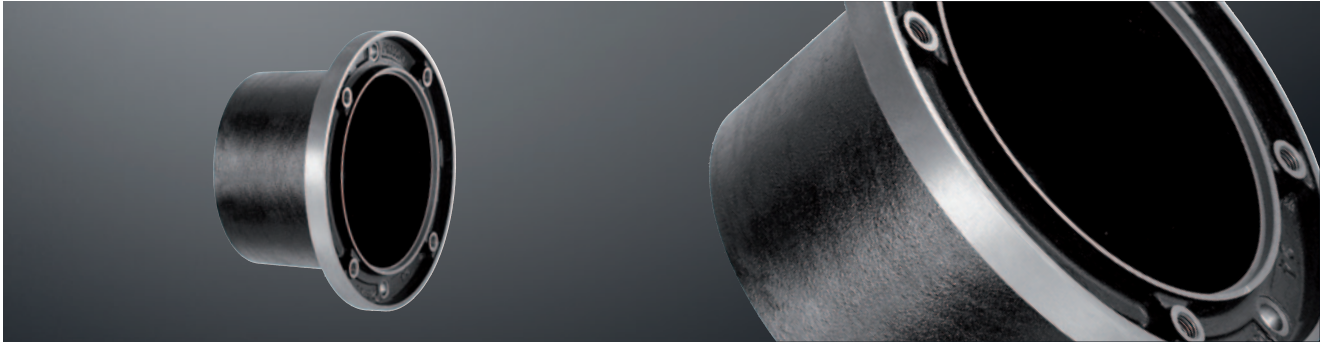
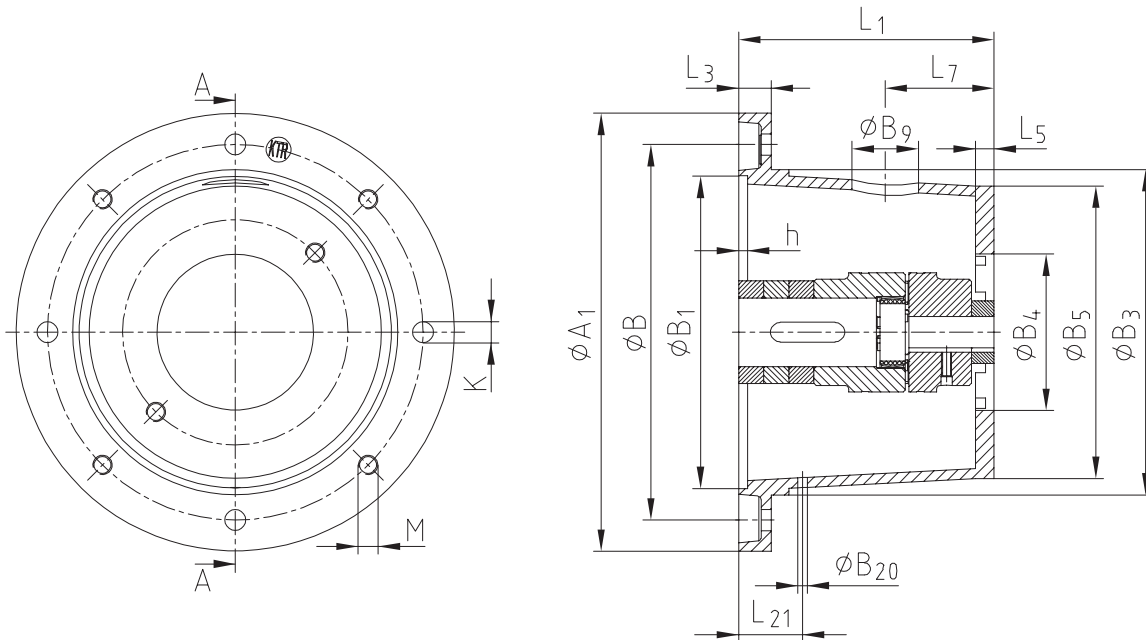


BELLHOUSINGS HYDRAULIC COMPONENTS

Bellhousings PG made of cast iron



Bellhousings made of cast iron (type PG)



Please specify in the order if the bellhousing is needed in oilproof design! (Extra charge)

Bellhousings made of cast iron																				
IEC motor size	kW w. n = 1500 rpm	Bellhousing size	Gasket DP size	Foot fl. PTFE/PTFS	Dimensions [mm]															
					A ₁	B	B ₁	B ₃	h	K	M	L ₁	L ₃	L ₅	B ₅	Min. B ₄	Venting hole		Oil bleed	
					A ₁	B	B ₁	B ₃	h	K	M	L ₁	L ₃	L ₅	B ₅	Min. B ₄	B ₉	L ₇	B ₂₀	L ₂₁
132S/132M	5,5 7,5	PG 300/5/..	300	300	300	265	230	234	5	14	M12	144	20	15	215	30	50	63	7,5	45
160M/160L	11 -	PG 350/4/..	350	350	350	300	250	260	7	17	M16	188	26	15	242	76	50	82	7,5	51
180M/180L	22	PG 350/6/..										204			235			87		
200L	30	PG 400/2/..	400	400	400	350	300	300	7	17	M16	256	26	20	280	97	50	118	7,5	51
		PG 400/4/..										204			260			92		
		PG 400/5/..										228			280			104		
225S/225M	37 45	PG 450/2/..	450	450	450	400	350	350	7	17	M16	234	26	24	289	97	50	107	7,5	51
		PG 450/3/..										262		20	315			91		
250M	55, 75	PG 550/1/..	550	550	550	500	450	450	7	17	M16	265	26	25	360	97	50	125	7,5	51
280S/280M	90	PG 550/8/..										248			349			116		
315S/315M	110 - 160	PG 660/5/..	660	660	660	600	550	550	8	22	M20	330	32	33	425	119	50	157	7,5	60

If venting holes or oil bleeds are required, please mention in your order.

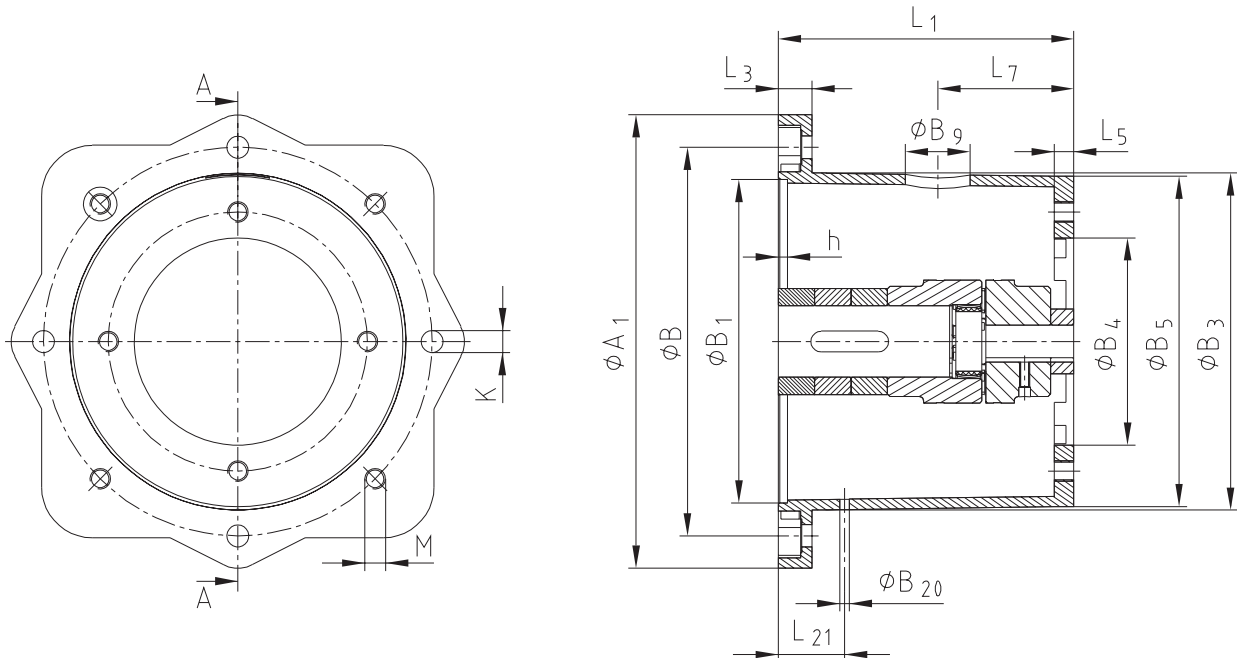
Ordering example:	PG	250	1	4
	Bellhousing type made of cast iron	Flange diameter of IEC motor	Serial model code	In-house modification code

BELLHOUSINGS HYDRAULIC COMPONENTS

Bellhousings PSG made of cast iron for servo motors



Bellhousings made of cast iron for servo motors (type PSG)



Please specify in the order if the bellhousing is needed in oilproof design! (Extra charge)

Bellhousings made of cast iron for servo motors																				
Bellhousing size	Gasket DP size	Foot fl. PTFE/PTFS	Dimensions [mm]													Min. B4	Venting hole		Oil bleed	
			A1	B	B1	B3	h	K	M	L1	L3	L5	B5	B9	L7		B20	L21		
PSG 200/1/..	200	200	200	165	130	145	7	11	M10	124	16	12	170	55	36	60	7,5	36		
For Servo and IEC-motors	PSG 250/1/..	250	250	250	215	180	190	7	13,5	M12	175	19	12	225	70	40	77	7,5	43	
	PSG 250/2/..	250	250	250	215	180	190	7	13,5	M12	155	19	14	180	69	40	65	7,5	43	
	PSG 350/10/..	350	350	350	300	250	260	7	17,5	M16	228	26	17	255	95	50	102	7,5	51	
PSG 350/16/..	350	350	350	300	250	260	7	17,5	M16	204	26	17	350	139	50	87	7,5	51		

If venting holes or oil bleeds are required, please mention in your order.

Ordering example:	PSG	250	1	4
	Bellhousing type for servo drives	Flange diameter of IEC motor	Serial model code	In-house modification code